



FRONT TRAY

user manual



IMPORTANT SAFETY INFORMATION FOR ASSEMBLY AND USE OF FRONT TRAY CARRIER

- Front Tray rack **MUST** be mounted by a professional bicycle workshop, strictly according to the instructions in this leaflet. Failing to do so can result in a serious accident caused by the rack blocking the front wheel!
- The maximum load capacity of Creme Front Tray is 8 kg. This load cannot be exceeded under any circumstances!
- The Creme Front Tray was not designed for child-seat attachment and it is not suitable to mount one.
- The Front Tray mounting bolts should be checked frequently. If any bolts are loose or missing, you must stop riding the bicycle immediately.
- It is forbidden under any circumstances to modify the Creme Front Tray.
- Please make sure that any luggage fitted to the Creme Front Tray is securely fitted in accordance with the manufacturer instructions and there are no loose straps that can get caught in the spokes of the front wheel.

FRONT TRAY ASSEMBLY INSTRUCTIONS

Front Tray is designed to fit bicycle forks equipped with threaded M5 front eyelets and a mounting hole at the fork crown. Note, it is designed for bikes with 28" wheels.

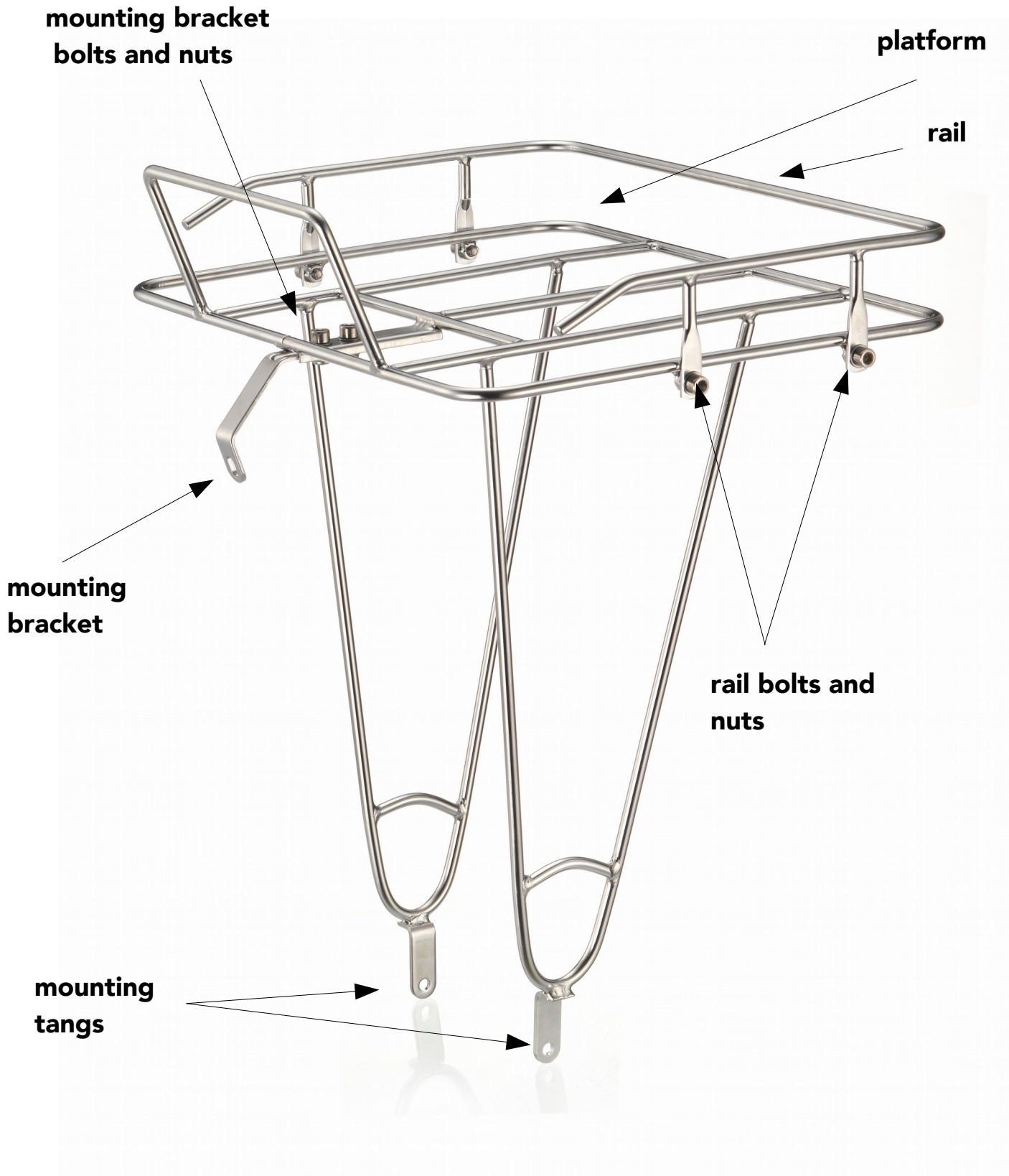
Tools needed

4mm and 5mm hex keys

10mm wrench



STEP 1. Identify all the components of Creme Front Tray

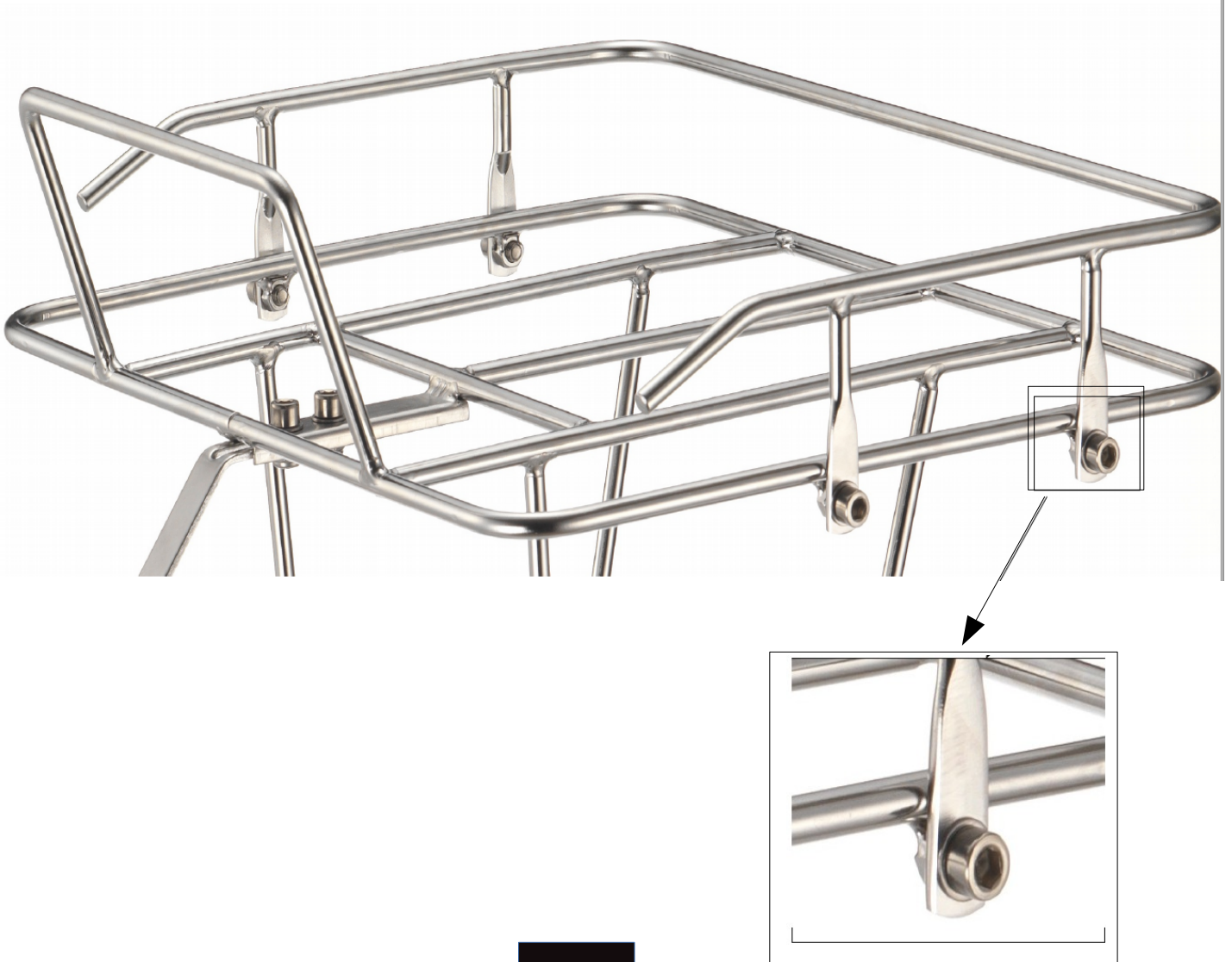


STEP 2.

Assemble the rail and mounting bracket to the platform with bolts and nuts as shown on the photograph.

Make sure that an external washer is mounted under each bolt head.

Note: Front Track may also be used without the rail. Always make sure you luggage is secure.



STEP 3.

Align the rack platform in horizontal position.
Fasten the bottom legs of the rack to the fork eyelets with supplied M5 bolts.
Do not tighten the bolts yet.



STEP 4.

Loosen the mounting bracket bolts to allow the bracket to slide freely.

Remove front caliper brake and mount the bracket to fork using caliper bolt.

Level the platform by sliding it on the mounting bracket. When level, tighten all bolts securely.

Please check periodically there are no loose mounting bolts.



slide to level platform

loosen bolts to allow sliding